

Specifications: Diesel Applications

Height: 21.8" (55.37 cm)

Width: 16.5" (41.91 cm) with Bracket

Depth: 12.0" (30.48 cm) with Bracket

Dry Weight: 26.0 lbs (11.8 kg)

Ports: 3/4"-14 NPT

Service Clearance (Top): 10.0" (25.4 cm)

Vacuum Installation Recommended

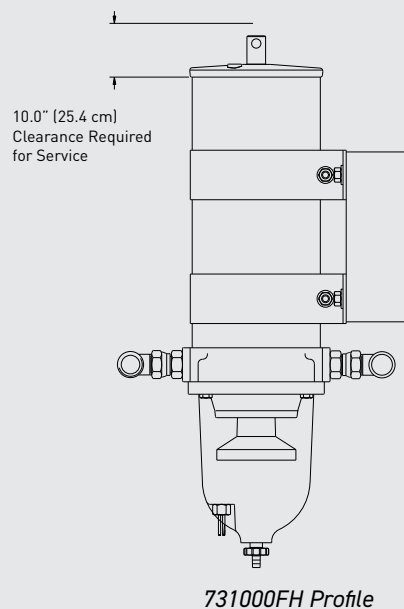
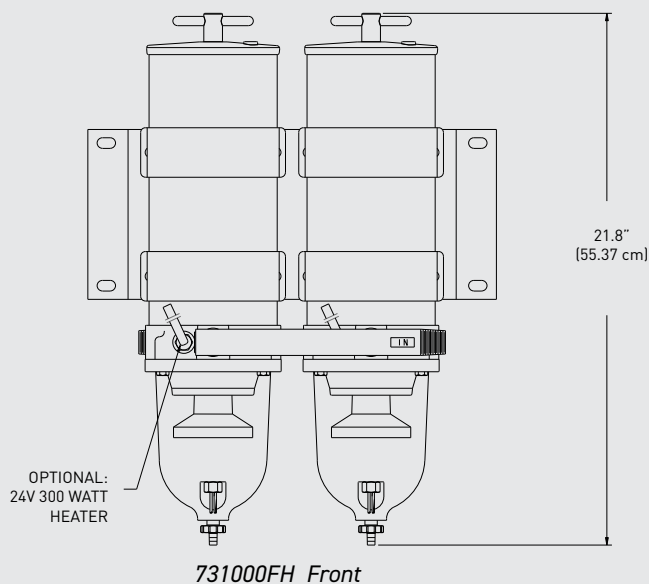
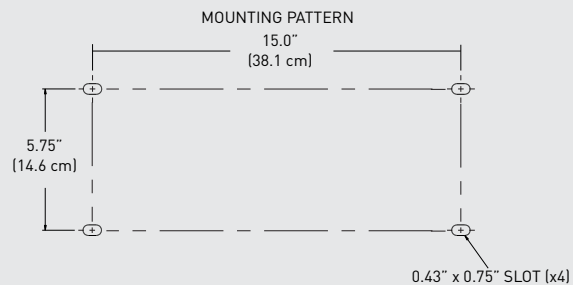
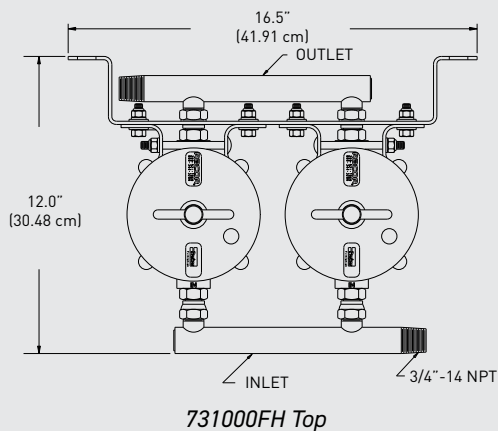
Maximum Head Pressure: 15 psi (1.03 bar)

Max Flow Rate: 360 gph (1362 lph)

FH Model Superseded to FV Model.
See RSL0428 FH-FV Change Notification
for available assemblies crosses.

RACOR[®]

Dimensions:



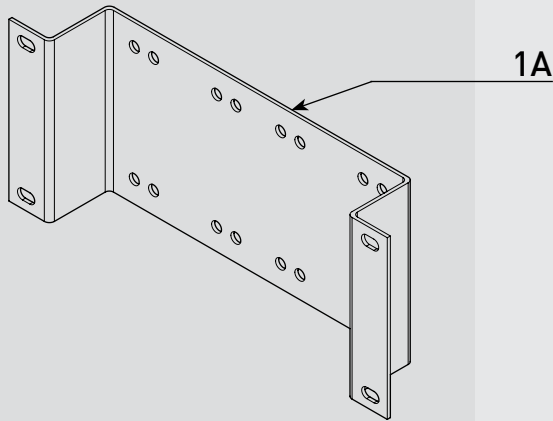
DUAL ASSEMBLIES



PARTS

Turbine Series - 731000FH

1

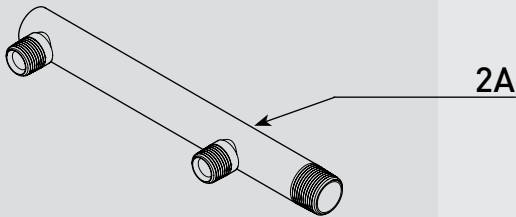


Part #	Description
1A	Mounting Bracket - 731000FH - Bracket only
2A	Inlet/Outlet Manifold Tube (3/4"-14 NPT)
3A	Turbine Fuel Filter - 1000FH Series See Cutsheet RSL0292 for available Parts and Accessories

Accessories and Parts Available (Not Shown)

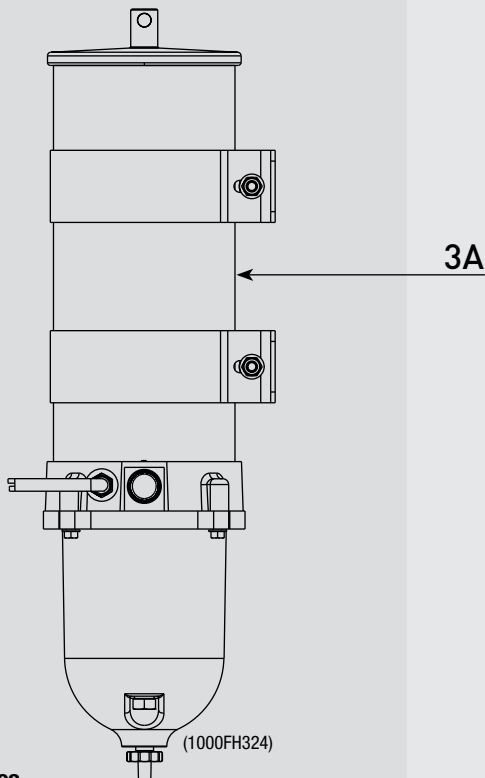
6A	RK 11-1952	Complete Seal Service Kit - 900FH/1000FH Series Filters (Requires 2)
	RK 11-1404	Complete Seal Service Kit - 900/1000 Series Filters For FG and Older Models (Requires 2)
6B	RK30880E	WIF Sensor and Light Kit - 1/2"-20 UNF
	RK33802	WIF Probe Kit - 1/2"-20 UNF - Two Wire Pigtail Water Detection Module Required - Use 6C
6C	RK 14329	Water Detection Module - 12 vdc
	RK 14321	Water Detection Module - 24 vdc

2



7A		Bowl Gasket - Included in 6A
7B	RK 11-1938	Bowl Kit - Includes 7A, 7C & 7D
7C	RK 20126	Bowl Plug (O-ring Included in 6A)
7D		Self-venting Drain (O-ring Included in 6A)

3



8A	2020V2	1000FH Replacement Element 2 micron
	2020V10	1000FH Replacement Element 10 micron
	2020V30	1000FH Replacement Element 30 micron

See **RSL0292**
For 1000FH Parts Breakdown